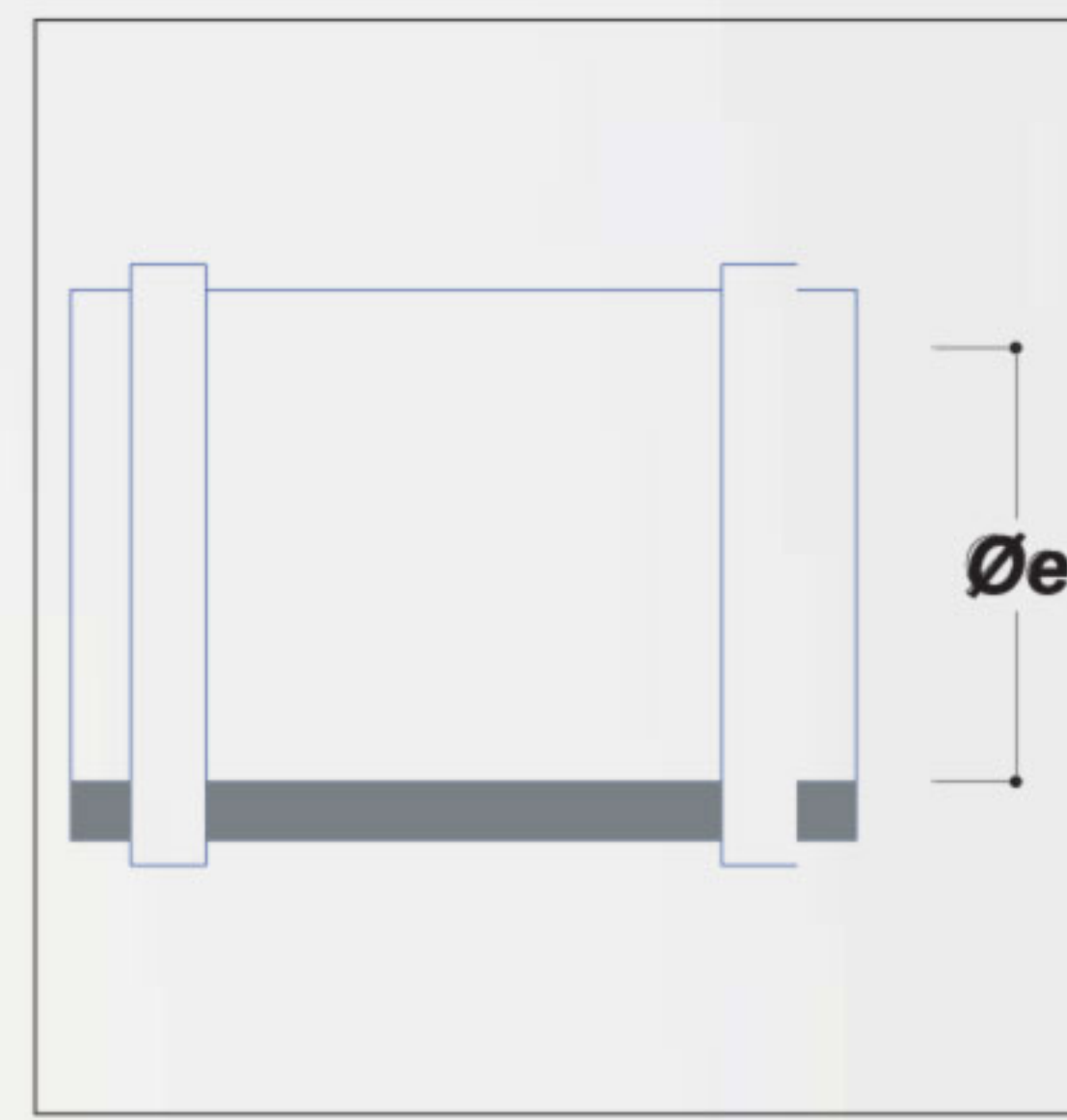


DOUBLE SOCKET JOINT (INJECTED) PE 100, PE 80

\varnothing_e mm	H mm	REMARKS
125	148	Suitable for pipeline without pressure
140	148	
160	190	
180	190	
200	220	
225	220	
250	260	
280	260	
315	300	
355	300	
400	340	
450	340	
500	360	
560	380	
630	380	
710	-	
800	-	



EXPANSION JOINT (INJECTED) PE 100, PE 80

\varnothing_e mm	H mm	Z mm	REMARKS
125	175	235	Suitable for pipeline without pressure
140	175	235	
160	170	255	
180	185	280	
200	275	350	
225	275	350	
250	280	440	
280	290	440	
315	310	480	
355	310	480	
400	330	500	
450	330	500	
500	330	500	
560	360	530	
630	360	530	
710	-	-	
800	-	-	

