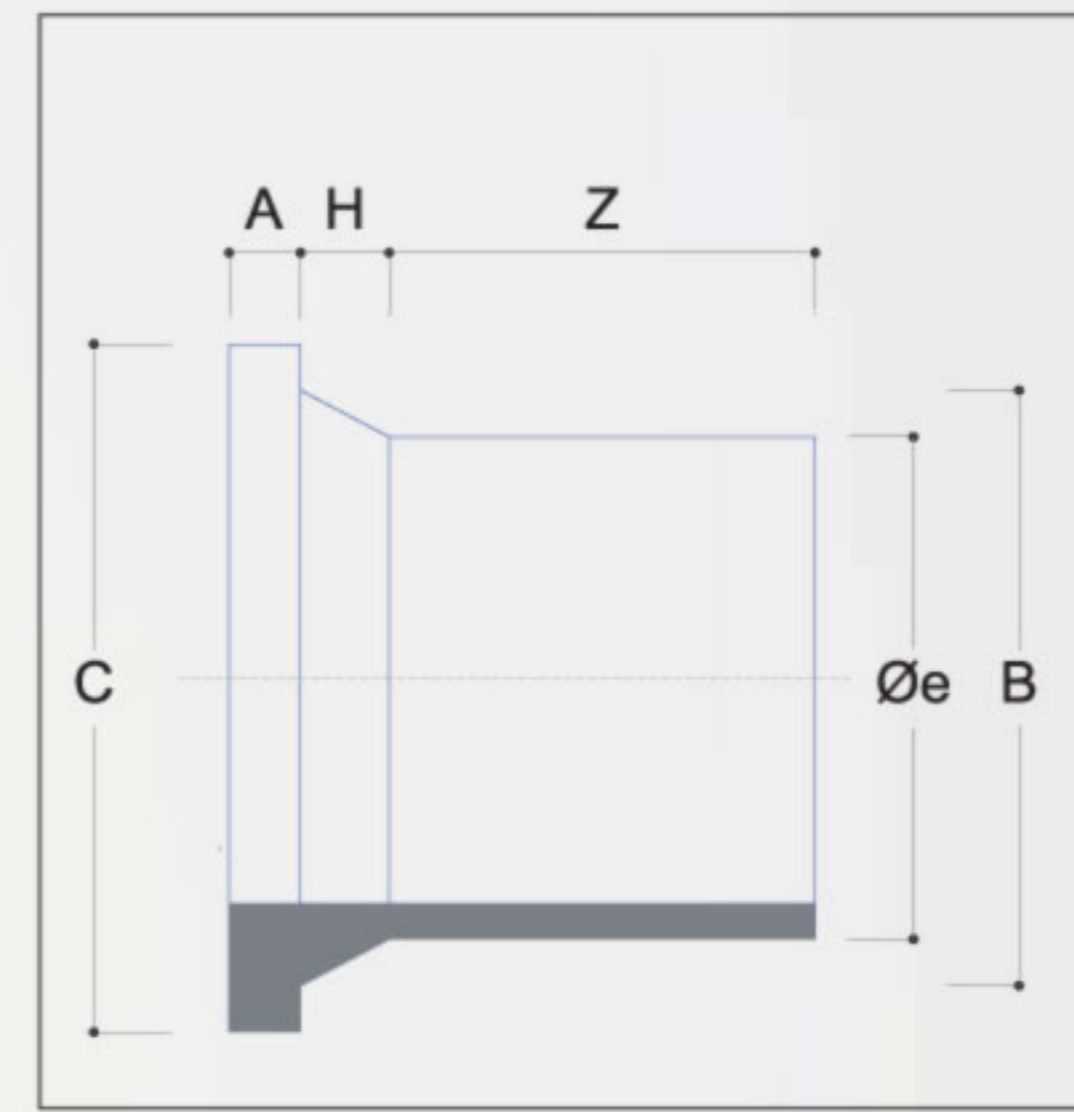


**LONG STUB END ( INJECTED ) PE 100, PE 80**

Øe	H	Z	P	A ( FOR SDR )			
				26	17	11	7.4
mm	mm	mm	mm	mm	mm	mm	mm
200	38	130	270	18	24	32	36
225	32	143	270	18	24	32	36
250	40	123	320	20	25	35	40
280	30	143	320	20	25	35	40
315	40	143	370	20	25	35	45
355	40	164	430	23	30	40	45
400	51	174	480	26	36	46	50
450	55	-	-	-	-	-	-
450DN450	50	-	-	-	-	-	-
500	45	234	585	38	46	60	-



**SHORT STUB END ( INJECTED ) PE 100, PE 80**

Øe	H	Z	P	P	A ( FOR SDR )			
					26	17	11	7.4
mm	mm	mm	mm	mm	mm	mm	mm	
200	38	58	232	270	18	24	32	32
225	32	58	234	270	18	24	32	32
250	40	40	286	320	20	25	35	35
280	30	40	290	320	20	25	35	35
315	40	40	334	370	20	25	35	45
355	40	40	370	430	23	30	40	45
400	51	45	424	480	26	36	46	50
450	55	35	514	585	38	46	60	-
450DN450	50	35	478	535	38	46	60	-
500	45	50	530	585	38	46	60	-
560	55	30	615	685	43	50	60	-
630	35	55	645	685	43	50	60	-
710	45	45	738	800	43	50	70	-
800	42	45	836	900	43	52	70	-
900	65	35	944	1005	46	55	-	-
1000	50	55	1047	1110	50	60	-	-
1100	60	40	1200	1330	60	60	-	-
1200	60	40	1245	1330	60	60	-	-

